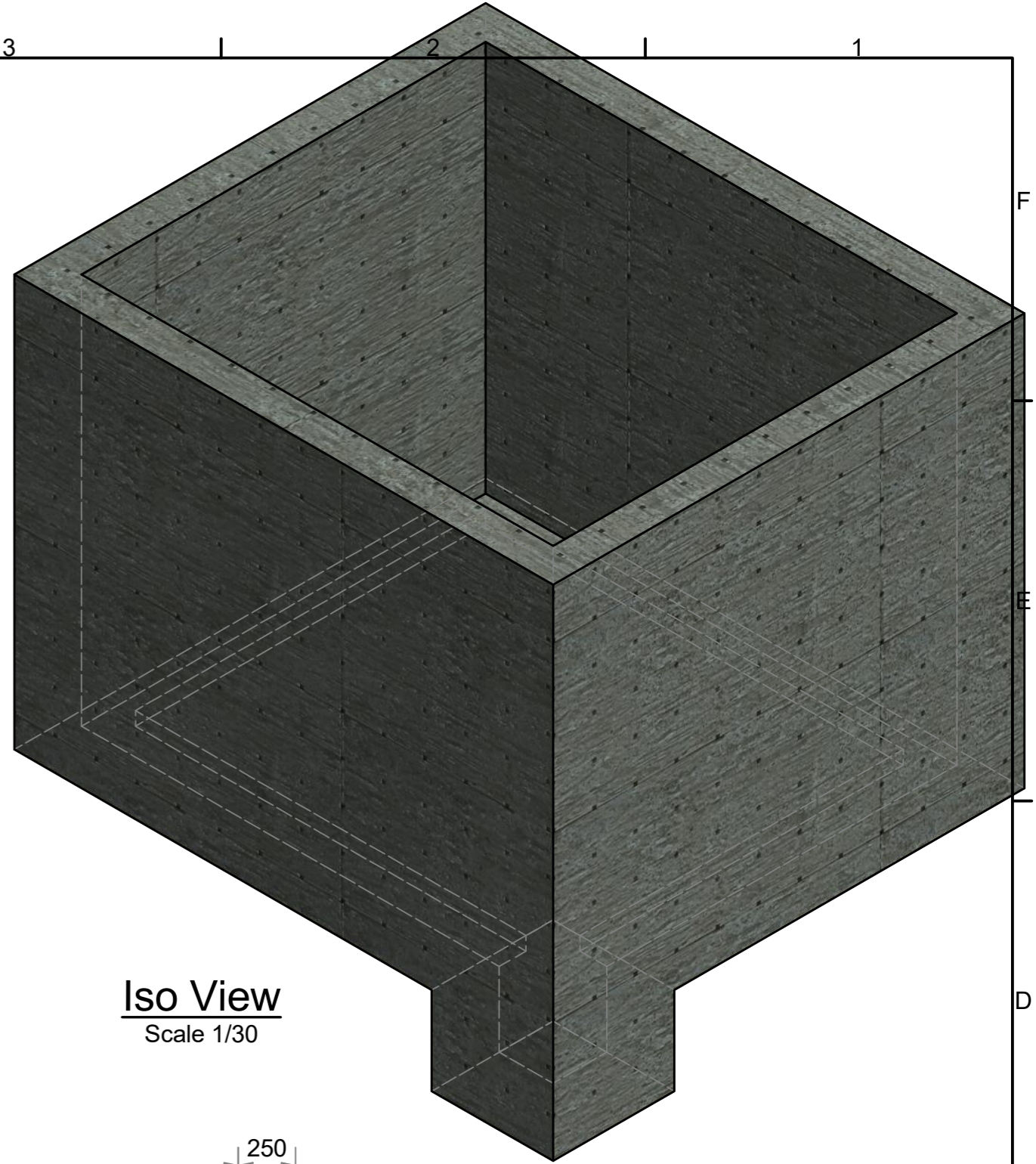
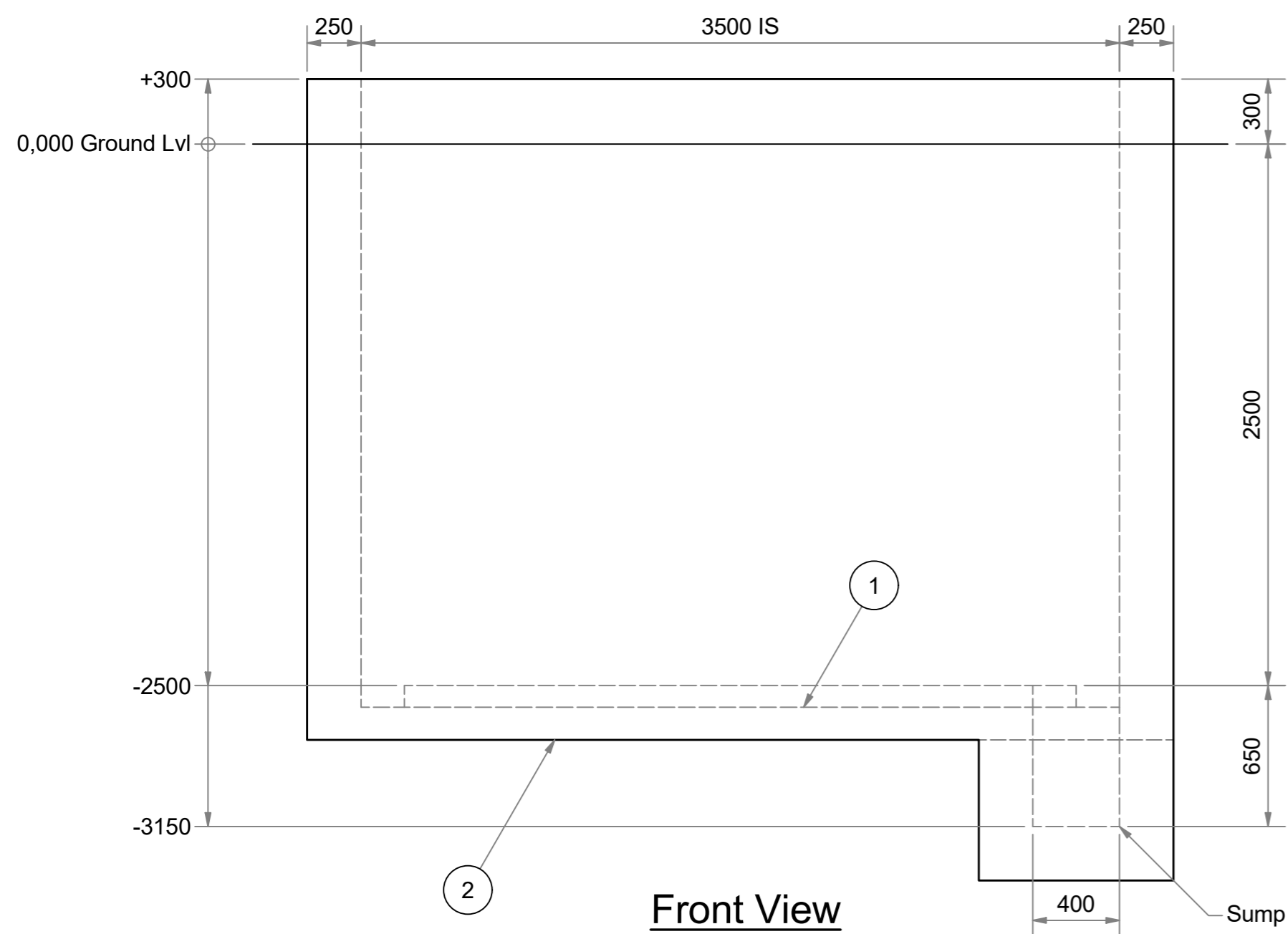


**Plan View**  
Scale 1/25

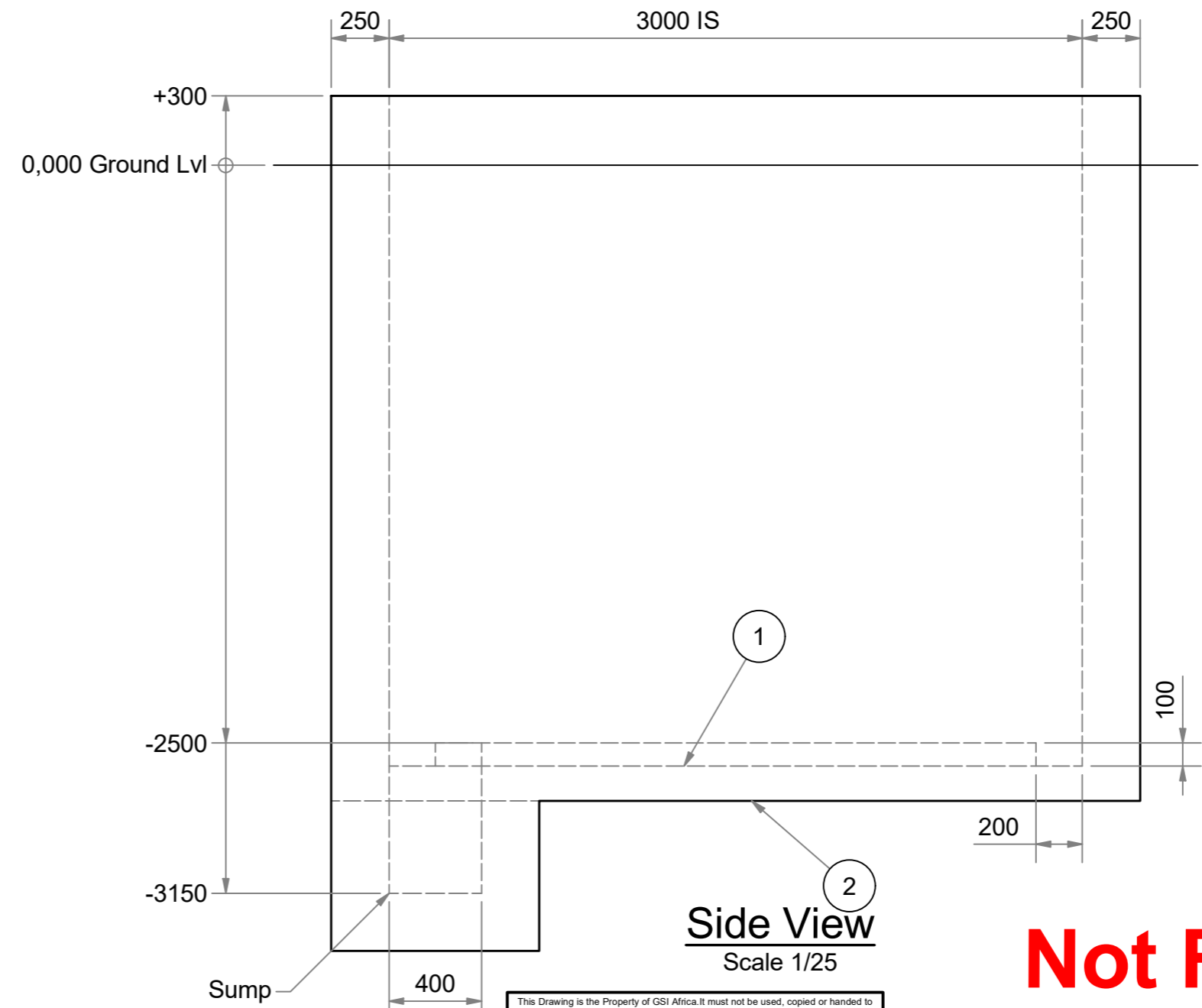
PARTS LIST	
ITEM	DESCRIPTION
1	Ref 395 Mesh
2	350 Micron DPC



**Iso View**  
Scale 1/30



**Front View**  
Scale 1/25



**Side View**  
Scale 1/25

**Proposal**  
**Not For Construction**

This Drawing is the Property of GSI Africa. It must not be used, copied or handed to any third party or otherwise disposed of without our expressed permission in writing. The information in this drawing is for customer review only and the equipment supplied may vary. All dimensions are in millimeters unless noted otherwise. Use dimensions as provided and do not scale drawing.

<p><b>GSI Africa (Pty) LTD</b> P.O. Box 4012, Honeydew 2040 124 Ridge Road, Laser Park, Honeydew Ext15 (T) +27 11 794-4455 (F) +27 11 794-4515</p>	Designed by K.Elliott	Checked by E.Mans	Approved by M.Schutte	Approved Date 2018/02/16	Creation Date 2018/02/16	A2
	Bucket Elevator Pit 3m x 3.5m x 2.5m General Arrangement			GSI Standards		
	3m x 3.5m x 2.5m Bucket Elevator Pit			Edition 00	Sheet 1 / 1	