

Plan View

Scale 1 : 35

**Proposal
Not For Construction**

This Drawing is the Property of GSI Africa. It must not be used, copied or handed to any third party or otherwise disposed of without our expressed permission in writing. The information in this drawing is for customer review only and the equipment supplied may vary. All dimensions are in millimeters unless noted otherwise. Use dimensions as provided and do not scale drawing.



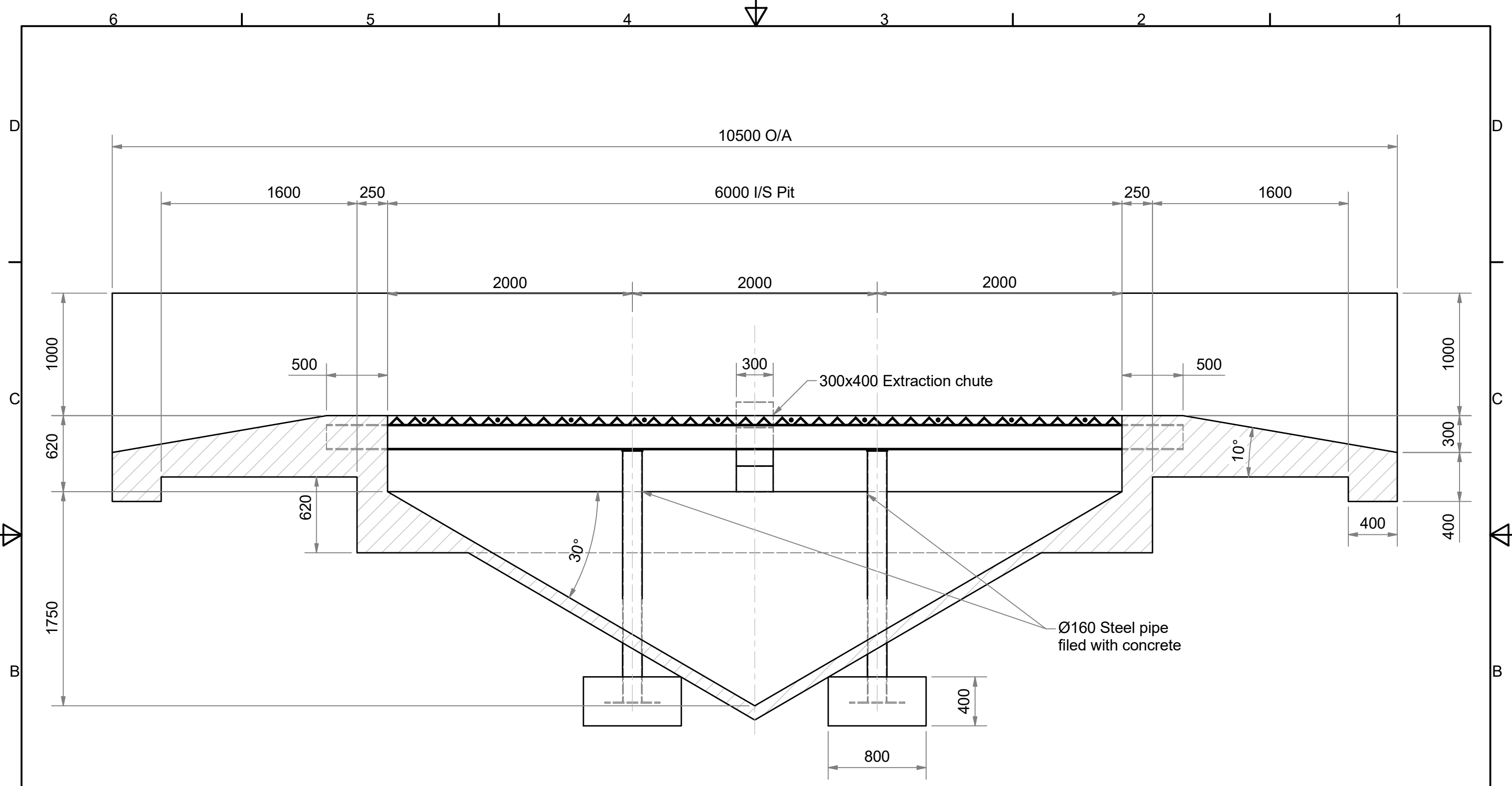
GSI Africa (Pty) LTD
P.O. Box 4012, Honeydew 2040
123 Ridge Road, Laser Park, Honeydew Ext15
(T) +27 11 794-4455 (F) +27 11 794-4515

Designed by Marius Schutte	Checked by Rudolf Jv Rensburg	Approved by Tony Clouston	Approved Date 2014/09/30	Creation Date 2014/09/25	A3
Auger extraction 4.2m x 6m Intake Pit General Arrangement			GSI Standards		
			Auger Intake Pit	Edition 00	Sheet 1 / 4

00	2014/09/25	Marius Schutte	Rudolf Jv Rensburg	Issued for comments
REV	DATE	DESIGNER	CHECKED BY	DESCRIPTION

A

A



Sectional view on A-A
Scale 1 : 30

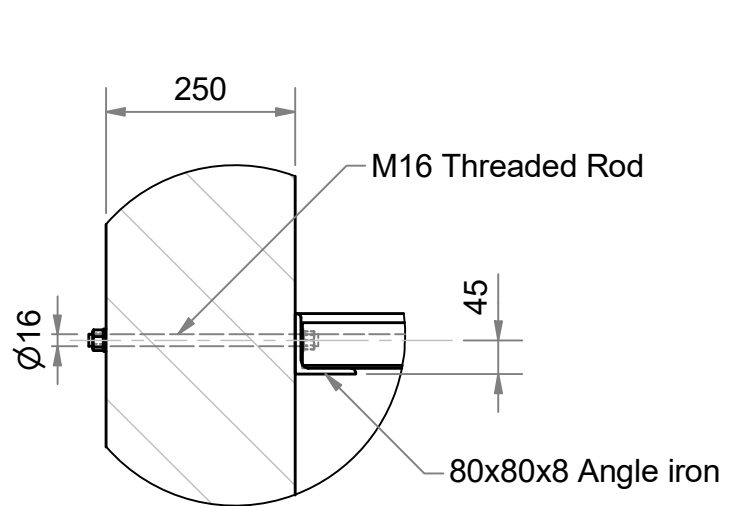
Proposal
Not For Construction

This Drawing is the Property of GSI Africa. It must not be used, copied or handed to any third party or otherwise disposed of without our expressed permission in writing. The information in this drawing is for customer review only and the equipment supplied may vary. All dimensions are in millimeters unless noted otherwise. Use dimensions as provided and do not scale drawing.

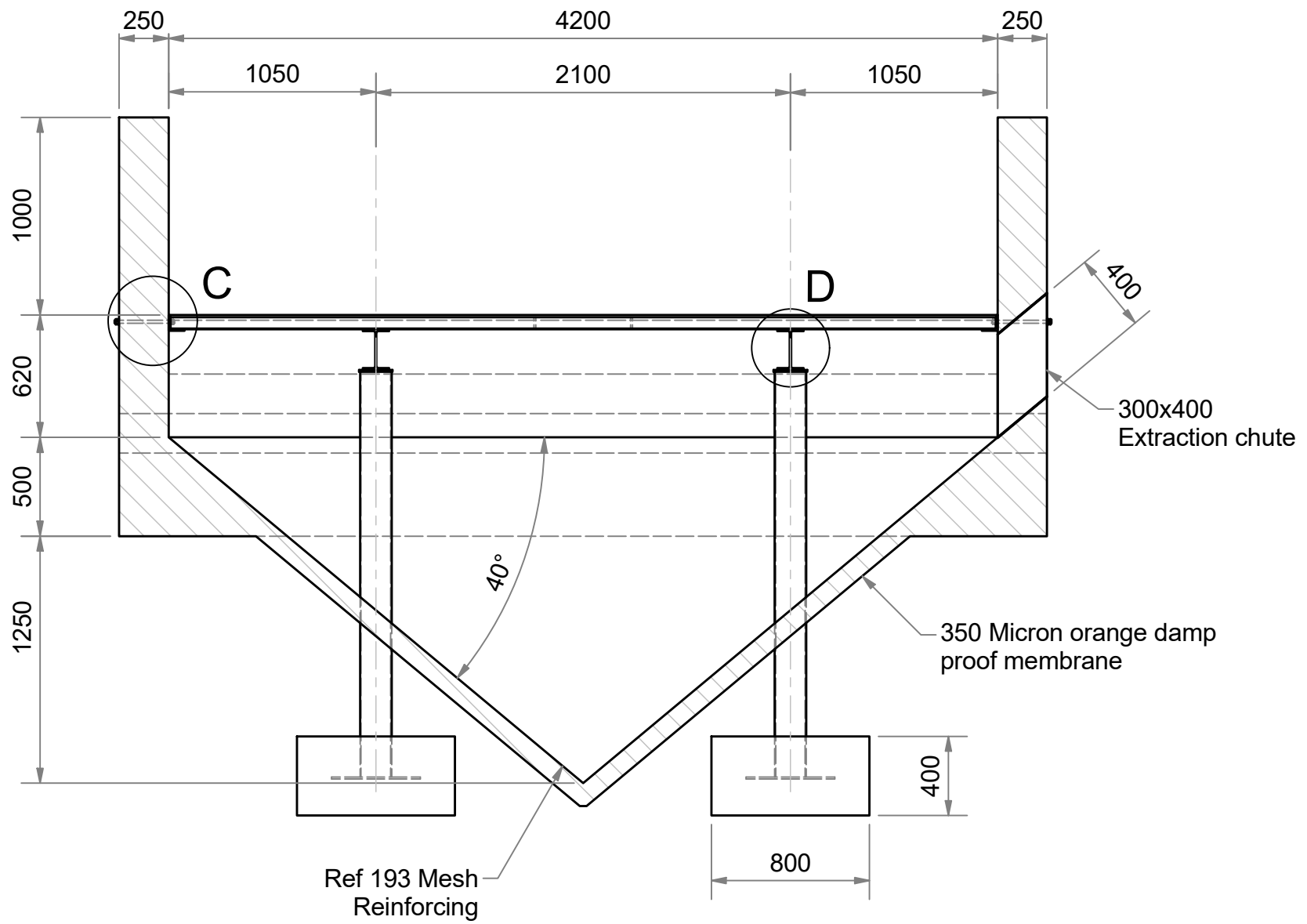


GSI Africa (Pty) LTD
P.O. Box 4012, Honeydew 2040
123 Ridge Road, Laser Park, Honeydew Ext15
(T) +27 11 794-4455 (F) +27 11 794-4515

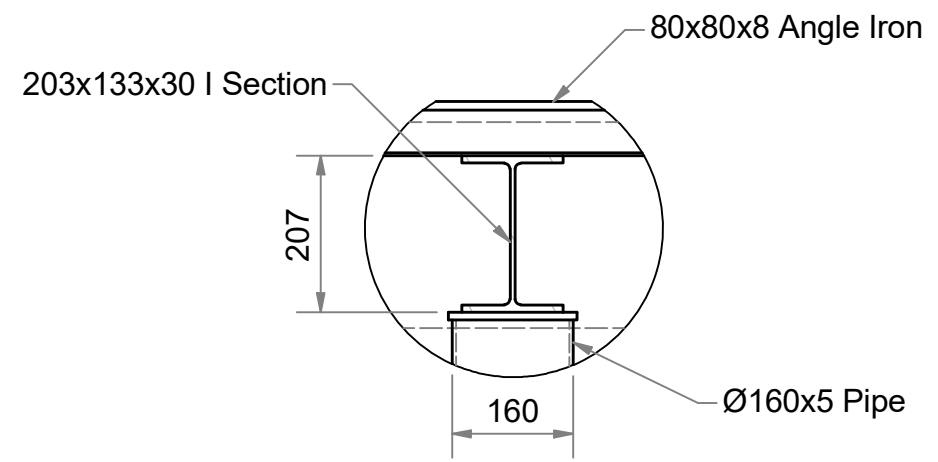
Designed by Marius Schutte	Checked by Rudolf Jv Rensburg	Approved by Tony Clouston	Approved Date 2014/09/30	Creation Date 2014/09/25	A3
Auger extraction 4.2m x 6m Intake Pit General Arrangement			GSI Standards		
Auger Intake Pit			Edition 00	Sheet 2 / 4	



Detail C
Scale 1 : 10



Sectional view on B-B
Scale 1 : 30



Detail D
Scale 1 : 10

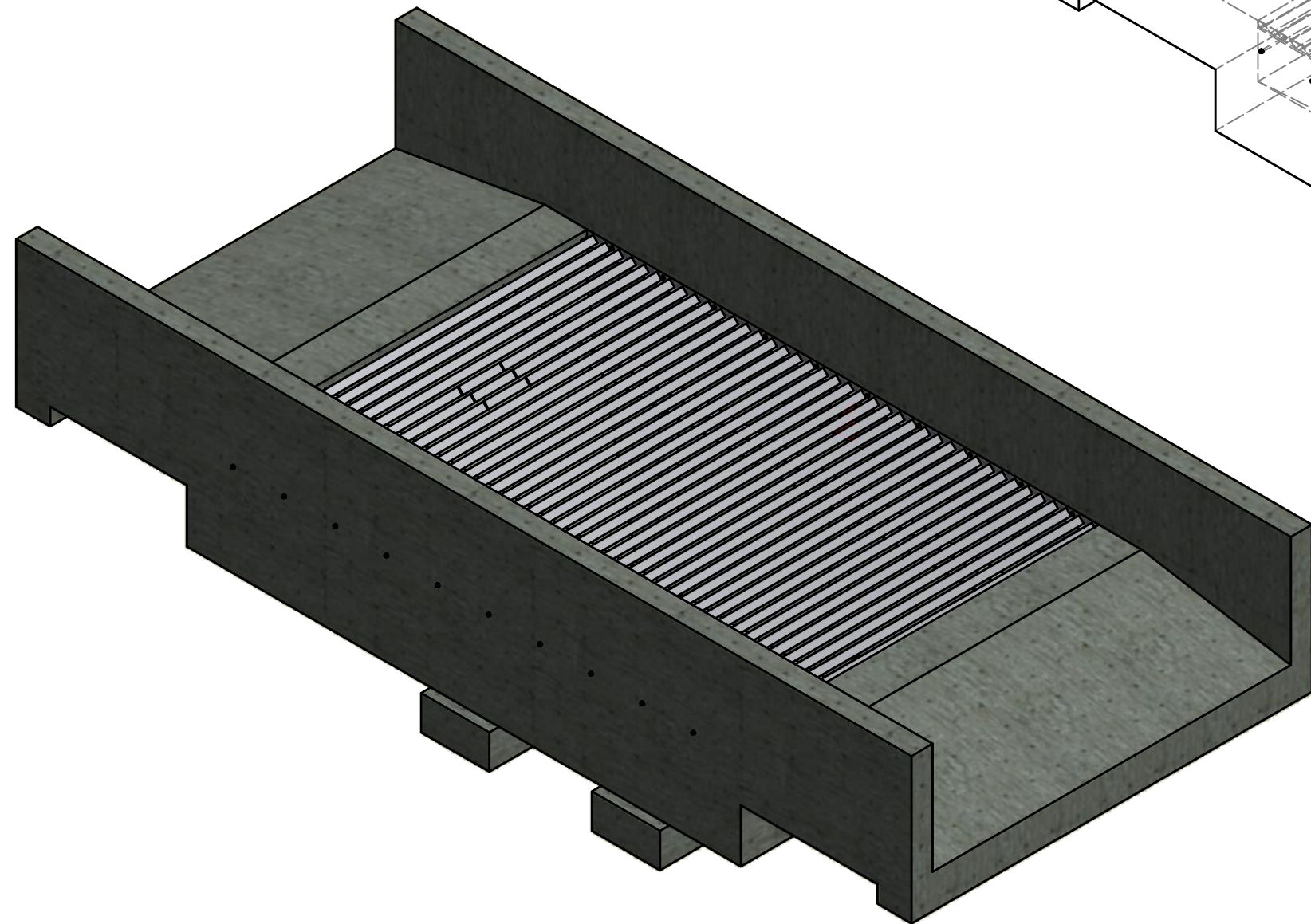
**Proposal
Not For Construction**

This Drawing is the Property of GSI Africa. It must not be used, copied or handed to any third party or otherwise disposed of without our expressed permission in writing. The information in this drawing is for customer review only and the equipment supplied may vary. All dimensions are in millimeters unless noted otherwise. Use dimensions as provided and do not scale drawing.

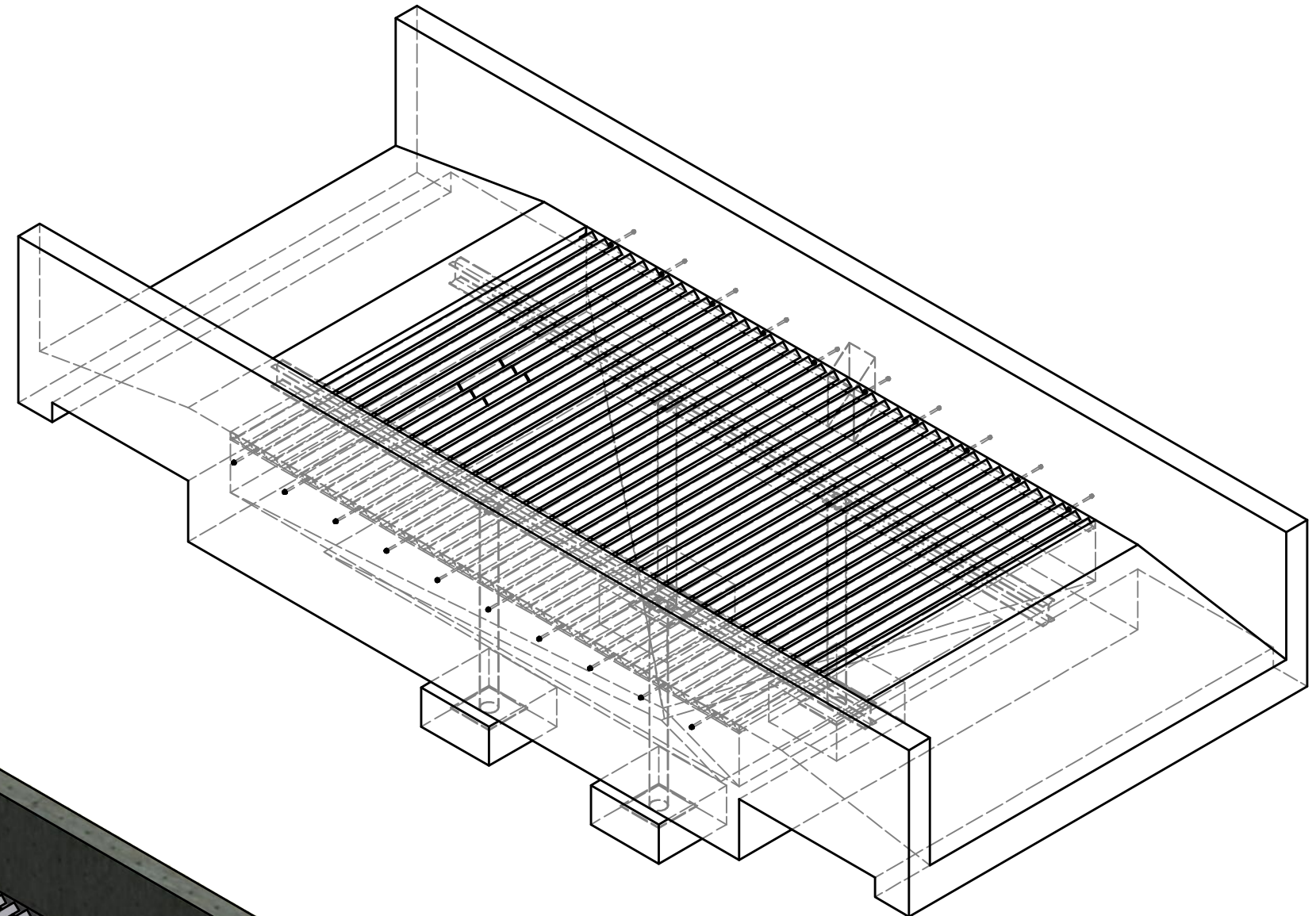


GSI Africa (Pty) LTD
P.O. Box 4012, Honeydew 2040
123 Ridge Road, Laser Park, Honeydew Ext15
(T) +27 11 794-4455 (F) +27 11 794-4515

Designed by Marius Schutte	Checked by Rudolf Jv Rensburg	Approved by Tony Clouston	Approved Date 2014/09/30	Creation Date 2014/09/25	A3
Auger extraction 4.2m x 6m Intake Pit General Arrangement			GSI Standards		
			Auger Intake Pit	Edition 00	Sheet 3 / 4



Iso View
Scale 1 : 50



Iso View
Scale 1 : 50

Proposal
Not For Construction

This Drawing is the Property of GSI Africa. It must not be used, copied or handed to any third party or otherwise disposed of without our expressed permission in writing. The information in this drawing is for customer review only and the equipment supplied may vary. All dimensions are in millimeters unless noted otherwise. Use dimensions as provided and do not scale drawing.



GSI Africa (Pty) LTD
P.O. Box 4012, Honeydew 2040
123 Ridge Road, Laser Park, Honeydew Ext15
(T) +27 11 794-4455 (F) +27 11 794-4515

Designed by Marius Schutte	Checked by Rudolf Jv Rensburg	Approved by Tony Clouston	Approved Date 2014/09/30	Creation Date 2014/09/25	A3
Auger extraction 4.2m x 6m Intake Pit General Arrangement			GSI Standards		
			Auger Intake Pit	Edition 00	Sheet 4 / 4